

CODE NUMBER

10101335

DESCRIPTION

SU-1019 Urinal and SLOAN 195 ESS Flushometer.

COMPONENTS

- Flushometer: Code 3773212
- Urinal: Code 1101019

DETAILS

- Flush Volume: 0.5 gpf (1.9 Lpf)
- Nominal Dimensions: 14 ¼" x 17 ¼" x 25 ½" (362 x 438 x 648mm)

FLUSHOMETER FEATURES

Quiet, Concealed, Diaphragm Assembly, Rough Brass Urinal

- Vacuum Breaker with Flush Connection
- No External Volume Adjustment to Ensure Water Conservation
- 13 1/2" x 13 1/2" Wall Box with Stainless Steel Access Panel and Vandal Resistant Screws
- OPTIMA® EL-1500 Self-Adaptive Infrared Sensor with Indicator Light
- Spud Coupling for 3/4" Concealed Back Spud
- Diaphragm Assembly, Stop Seat and Vacuum Breaker Molded from PERMEX® Rubber Compound for Chloramine Resistance
- 3/4" I.P.S. Wheel Handle Bak-Chek® Angle Stop

FIXTURE FEATURES

- White Vitreous China
- Washdown flushing action
- Integral flushing rim
- ¾" I.P.S. rear spud inlet
- 2" NPT outlet flange
- Vandal resistant strainer assembly included
- All mounting hardware included
- 100% factory flush tested



COMPLIANCES & CERTIFICATIONS



(ADA Compliant, BAA Compliant, BREEAM Water Credit, CalGreen Compliant, CEC Compliant, cUPC Green Certified, Green Globes Water Credit, LEED V4 Water Efficiency Credit, Satisfies LEED Credits, UL Certified)

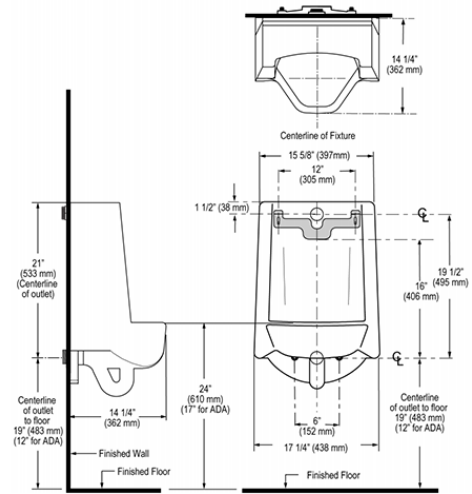
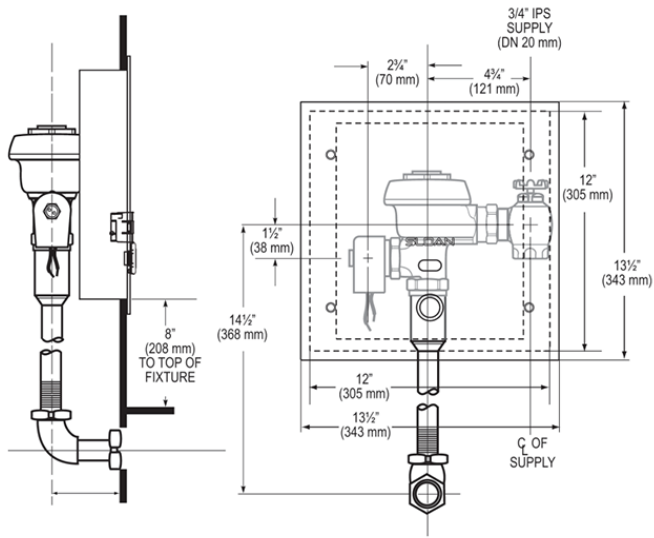
DOWNLOADS

- [Standard Spud Urinal Installation Instructions](#)
- [Royal/Sloan/Crown SWB ESS Installation Instructions](#)
- [SS/ST/SU/WETS/WEUS Fixtures Repair and Maintenance Guide](#)
- [Additional Downloads](#)

NOTES

All information contained within this document subject to change without notice.

ROUGH-IN



NOTE: ADA urinal rim height requirements allow all heights 17" and below. Sloan strongly recommends roughing in the drain to achieve a 16 1/4" rim height or less to ensure compliance.